

Multi Grabs

IMG S - Sorting Jaws

IMG D - Demolition Sorting Jaws

IMG H - Material Handling Jaws




IMG L - Loading Jaws



IMG T - Timber Jaws

 **INDECO**

A TOOL FOR EVERY JOB

Application areas

		S	D	H	L	T
 Demolition & renovation	Light Demolition		○			
	• Demolition of masonry structures		○			
	• Brickwork		○			
	• Natural stone		○			
	• Renovation of interiors		○			
	• Autoclaved aerated concrete					
	Demolition of non-reinforced concrete structures		○			
	• Primary demolition of lightweight and standard concrete		○			
	• Primary demolition of heavyweight concrete					
	• Wall Elements		○			
	• Secondary demolition		○			
	Composite steel & concrete structure demolition					
	• Primary Demolition of Lightweight and Standard reinforced concrete					
	• Primary demolition of heavyweight steel - reinforced concrete					
	• Secondary Demolition floors, slabs and beams					
• Separating rebars from pillars and struts						
• Fiber-reinforced concrete						
• Cutting rebars and steel reinforcements						
Demolition of metallic buildings and structures						
• Demolition of refineries						
• Cutting of Metal and steel structures						
• Cutting steel girders/beams						
• Cutting reinforcements						
Sorting and Loading		○	○			
• Sorting		○	○			
• Loading		○			○	
• Waste handling		○		○	○	
• Site clean-up		○		○	○	
Pavement demolition						
• Asphalt						
• Concrete			○			
• Composite surfaces			○			
 Earth Moving and Construction	Earth moving works					
	• Trenching					
	• Ground excavation					
	• Floor leveling					
	• Soil compaction					
	• Trench compaction					
	• Loading soil or bulk material		○			○
	Foundation works					
	• Building foundation excavation					
	• Ground leveling					
Building construction						
• Foundation pile driving						
• Compaction around pillars						
 Material Handling	• Loading soil or bulk material		○			○
	• Handling rock or breakwaters				○	○
	• Material transport, storage, positioning		○		○	○
	• Timber log handling			○		○

		S	D	H	L	T
 Infrastructures	Tunnelling					
	• Tunnel excavation					
	• Roof, face & rib scaling					
	Underwater application					
	• Dredging					
	• Dock deepening & extension					
	• Canal deepening & extension					
	• Loading soil or bulk material		○			○
	• Handling rock or breakwaters				○	○
	Trenching					
• Oil & gas, water & sewage (deep trenching)						
• Trenching						
• Trench soil compaction						
Road construction						
• Pile driving and guard rail driving						
• Asphalt repair						
• Maintenance work (driveways, sidewalks and parking lots)						
• Block paving						
 Agriculture and Forestry	Gardening & Landscaping					
	• Fencing					
	• Ground excavation					
	• Rock breaking					
	• Pit planting					
	• Stump splitting					
	• Golf course maintenance					
	• Root and stump grinding					
	• Hedgerow clearance and rejuvenation					
	• Grinding of logging residues					
Forestry						
• Timber log handling				○	○	
• Maintenance of green area, small trees and brush						
• Creation and upkeep of woodland corridors and firebreaks						
• Tree clearing						
• Vegetation clearing						
• Branch clearing						
 Recycling	Processing					
	• Scrap material processing					
	• Cutting tyres					
	• Processing rail cars					
	• Processing cars, trucks and general automotive					
	• Cutting tanks					
	Handling and sorting					
	• Scrap material handling		○		○	
	• Scrap material sorting				○	
	• Urban waste		○		○	
• Industrial waste		○		○		
• Wood and tyres				○	○	
Downsizing and sorting						
• Material downsizing and sorting in recycling quarries						

IMG jaws

Years of experience have enabled Indeco to meet the specific demands of the market by designing and developing – with all our usual excellence in terms of innovation, quality and reliability – this line of equipment for a wide range of sectors, from demolition to forestry jobs. The five different models of Indeco IMG jaws run on the same hydraulic system, an upgrade compared with the previous IDG system, combined with the 360° rotation mechanism found on all of Indeco's other rotating products. Its innovative design features, specifically created to handle each product variant, and its use of special HARDOX® wear-resistant steels, have helped to combine some key features such as outstanding robustness and light weight, as well as above-average payload and gripping force. Its exceptional manoeuvrability, its mounting bracket compatible with other Indeco products, the efficiency of its hydraulic system which ensures maximum precision in handling and is cheap to run – just some of the extra qualities that make Indeco IMG jaws such safe and reliable partners. Having such a wide range of models, in each of the five product variants, means there is always a perfect combination for your carrier, no matter what size it is.

IMG S - Sorting jaws

Indeco IMG S sorting jaws are the ideal tools for sorting waste materials from demolition work, from clearing stony ground, and from dredging of rivers and seas.

IMG D - Demolition Sorting Jaws

Indeco IMG D demolition sorting jaws are ideal for light demolition jobs, such as demolishing wood and brick structures, and can also be used to select and handle waste materials. Their unique structure, outstanding manoeuvrability, power and high payload are ideal for recycling and recovery.

IMG H - 3+2 Material Handling Jaws

Designed to facilitate handling of large objects such as scrap metal, vehicles for demolition, and other demolition scrap, their hydraulic rotation system and the strength of their interlocking teeth provide a safe powerful grip.

IMG L - Loading Jaws

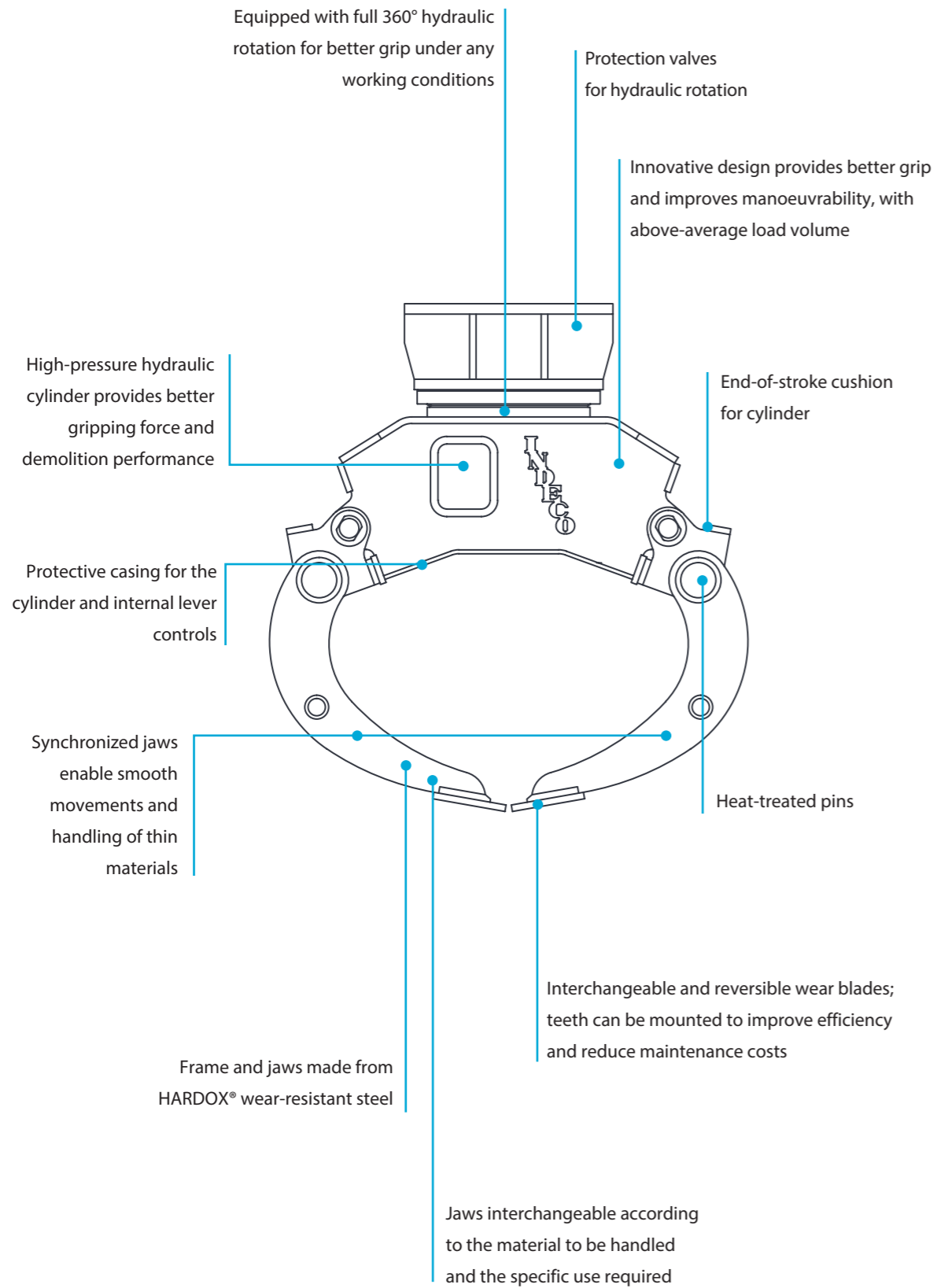
The geometry of the Indeco IMG L loading jaws is designed for maximum load, making them ideal for moving earth, gravel, sand, mud, boulders, agricultural and industrial waste, urban waste, minerals, etc.

IMG T - Timber Jaws

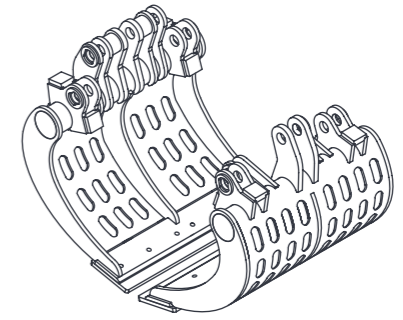
Designed to combine maximum gripping force with the lightest possible weight, Indeco IMG T grabs facilitate the handling of large tree trunks in forestry operations.



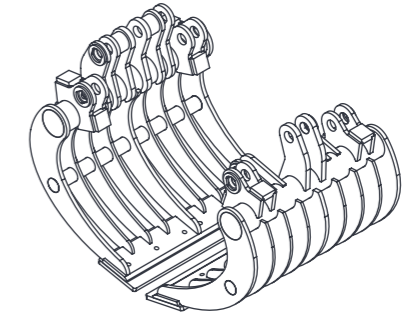
Features of IMG jaws



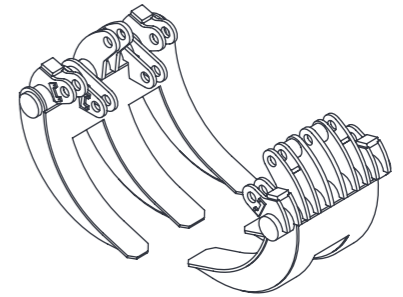
IMG S - Sorting Jaws



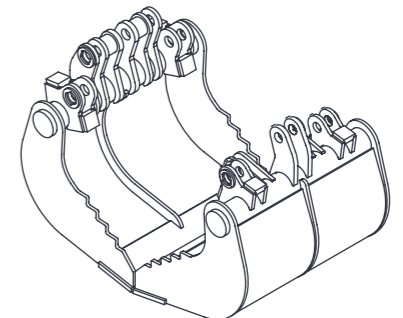
IMG D - Demolition Sorting Jaws



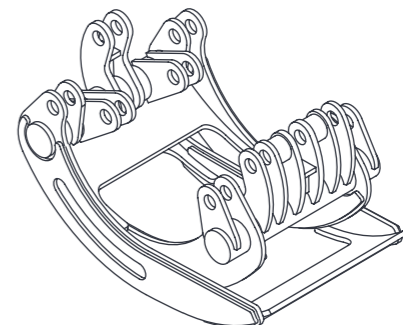
IMG H - Material Handling Jaws 3+2



IMG L - Loading Jaws



IMG T - Timber Jaws



Technical Data	IMG 400	IMG 600	IMG 1200
Type of carrier	1 3	1 3 4	4 5
Excavator weight	3 ÷ 10 tons	5 ÷ 16 tons	12 ÷ 22 tons
Maximum working pressure	300 bars	300 bars	300 bars
Maximum oil delivery	30 l/min	50 l/min	70 l/min
Hydraulic connections for cylinder	1/2"	1/2"	3/4"
Maximum rotation pressure	100 bars	100 bars	100 bars
Maximum rotation oil flow	10 l/min	10 l/min	20 l/min
Hydraulic connections for rotation	3/8"	3/8"	1/2"
Maximum force at blade/teeth	3000 Kg	4000 Kg	6000 Kg
Compatibility of attachment plate with hammer	HP 900	HP 900	HP 2000 - HP 2500

Sorting Jaws	IMG 400 S	IMG 600 S	IMG 1200 S
Attachment operating weight*	380 kg	570 kg	1140 kg
Load capacity	190 l	320 l	620 l
Jaw width	900 mm	1070 mm	1300 mm
Maximum opening	1500 mm	1700 mm	2200 mm
Depth	600 mm	700 mm	900 mm

Demolition Sorting Jaws	IMG 400 D	IMG 600 D	IMG 1200 D
Attachment operating weight*	400 kg	600 kg	1200 kg
Load capacity	190 l	320 l	620 l
Maximum opening	1500 mm	1700 mm	2200 mm
Depth	600 mm	700 mm	900 mm

Material Handling Jaws 3+2	IMG 400 H	IMG 600 H	IMG 1200 H
Attachment operating weight*	425 kg	640 kg	1280 kg
Maximum opening	930 mm	1085 mm	1360 mm
Depth	570 mm	660 mm	830 mm

Loading Jaws	IMG 400 L	IMG 600 L	IMG 1200 L
Attachment operating weight*	415 kg	630 kg	1250 kg
Load capacity	190 l	320 l	620 l
Maximum opening	1500 mm	1700 mm	2200 mm
Depth	600 mm	700 mm	900 mm

Timber Jaws	IMG 400 T	IMG 600 T	IMG 1200 T
Attachment operating weight*	415 kg	630 kg	1250 kg
Maximum opening	930 mm	1085 mm	1360 mm
Depth	570 mm	660 mm	830 mm

*The operating weight of the equipment includes mounting bracket compatible with Indeco construction standards. Any differences in weight may be due to a different mounting bracket configuration.

Carrier key



Technical Data	IMG 1700	IMG 2300	IMG 2800
Type of carrier	4 5	5	5
Excavator weight	17 ÷ 30 tons	22 ÷ 40 tons	26 ÷ 50 tons
Maximum working pressure	320 bars	350 bars	350 bars
Maximum oil delivery	80 l/min	130 l/min	160 l/min
Hydraulic connections for cylinder	3/4"	3/4"	3/4"
Maximum rotation pressure	110 bars	110 bars	110 bars
Maximum rotation oil flow	20 l/min	30 l/min	30 l/min
Hydraulic connections for rotation	1/2"	1/2"	1/2"
Maximum force at blade/teeth	7000 Kg	10000 Kg	12000 Kg
Compatibility of attachment plate with hammer	HP 2000 - HP 2500	HP 3000 ÷ HP 4000	HP 3000 ÷ HP 4000

Sorting Jaws	IMG 1700 S	IMG 2300 S	IMG 2800 S
Attachment operating weight*	1610 kg	2180 kg	2650 kg
Load capacity	900 l	1350 l	1700 l
Jaw width	1470 mm	1630 mm	1750 mm
Maximum opening	2500 mm	2700 mm	3000 mm
Depth	1000 mm	1100 mm	1200 mm

Demolition Sorting Jaws	IMG 1700 D	IMG 2300 D	IMG 2800 D
Attachment operating weight*	1700 kg	2300 kg	2800 kg
Load capacity	900 l	1350 l	1700 l
Maximum opening	2500 mm	2700 mm	3000 mm
Depth	1000 mm	1100 mm	1200 mm

Material Handling Jaws 3+2	IMG 1700 H	IMG 2300 H	IMG 2800 H
Attachment operating weight*	1800 kg	2450 kg	2990 kg
Maximum opening	1550 mm	1710 mm	1840 mm
Depth	950 mm	1050 mm	1130 mm

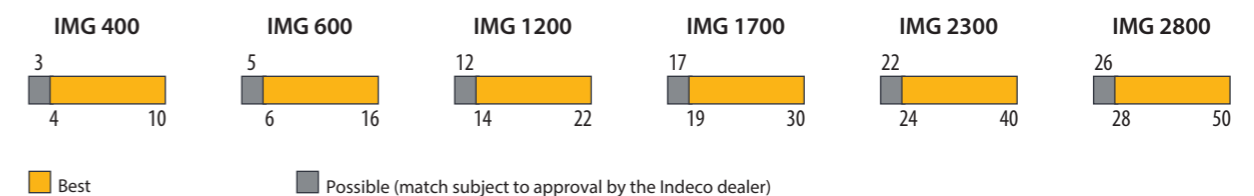
Loading Jaws	IMG 1700 L	IMG 2300 L	IMG 2800 L
Attachment operating weight*	1780 kg	2400 kg	2930 kg
Load capacity	900 l	1350 l	1700 l
Maximum opening	2500 mm	2700 mm	3000 mm
Depth	1000 mm	1100 mm	1200 mm

Timber Jaws	IMG 1700 T	IMG 2300 T	IMG 2800 T
Attachment operating weight*	1780 kg	2400 kg	2930 kg
Maximum opening	1550 mm	1710 mm	1840 mm
Depth	950 mm	1050 mm	1130 mm

N.B. All illustrations and numerical data in this catalog are purely indicative and subject to change at our discretion and without notice. We therefore reserve the right to modify them with a view to improving and continuously developing our product.

compatibility

Suggested uses on machines with an overall weight (in tons):



Accessories

Mounting brackets

Each mounting bracket model can be used with all Indeco products in the same class.



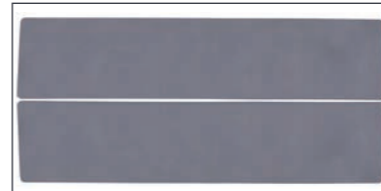
Connecting hoses

We recommend using original Indeco high- and low-pressure hoses to connect various tools to the hydraulic system on the carrier.



Wear blades

Interchangeable and reversible wear blades for greater efficiency and lower maintenance costs; teeth can be mounted.



Quick change teeth - IMG

Teeth with quick-change inserts are available upon request. Easy to replace during maintenance, they are ideal for use in quarries, where the equipment is subject to consistently high levels of wear and tear.



The full range of other Indeco products

Products	Weight
IFP 8 X	750 Kg
IFP 13 X	1300 Kg
IFP 19 X	1800 Kg
IFP 28 X	2800 Kg
IFP 35 X	3450 Kg
IFP 45 X	4550 Kg
IRP 5 X	570 Kg
IRP 11 X	1150 Kg
IRP 18 X	1700 Kg
IRP 23 X	2300 Kg
IRP 29 X	2950 Kg
IRP 36 X	3600 Kg
IRP 45 X	4500 Kg
IMP* 15	1500 Kg
IMP* 20	2080 Kg
IMP* 25	2400 Kg
IMP* 35	3500 Kg
IMP* 45	4500 Kg

Products	Weight
IHC 50	200 Kg
IHC 70	445 Kg
IHC 75	485 Kg
IHC 150	970 Kg
IHC 250	1280 Kg
IHC R 50	425 Kg
IHC R 70	630 Kg
IHC R 75	670 Kg
IHC R 150	1185 Kg
IHC R 250	1520 Kg
IMG S** 400	380 Kg
IMG S** 600	570 Kg
IMG S** 1200	1140 Kg
IMG S** 1700	1610 Kg
IMG S** 2300	2180 Kg
IMG S** 2800	2650 Kg
ISS*** 5/7	570 Kg
ISS*** 10/20	2400 Kg

Products	Weight
ISS*** 20/30	3650 Kg
ISS*** 25/40	4800 Kg
ISS*** 30/50	6100 Kg
ISS*** 35/60	7600 Kg
ISS*** 45/90	10400 Kg
IMH 5	540 Kg
IMH 6	555 Kg
IMH 8	600 Kg
IMH 10	736 Kg
IMH 12	1050 Kg
IMH 15	1500 Kg
IMH 19	1550 Kg
IMH 28	2095 Kg
IMH 3.5 SS	1150 Kg
IMH SG16	845 Kg
IMH SG20	845 Kg

*Crusher configuration - **Sorter configuration - ***Third-member configuration

Indeco Ind. SpA
viale Lindemann, 10 z.i. - 70132 Bari - Italy
tel. +39 080 531 33 70 - fax +39 080 537 79 76
info@indec.it - www.indec.it/en

